



SERIES IWP | INDUSTRIAL WEATHERPROOF PRESSURE TRANSMITTER



FEATURES/BENEFITS

- Rugged, weather-proof design supports use in harsh environments
- 4 digit LED display and 4-20 mA output
- Durable cast-aluminum shell securely protects the high-quality circuitry from harsh industrial surroundings
- Long-term stability and reliability in environmentally challenging conditions
- Built for industrial processes such as petroleum, chemical and metallurgy but at a value price-point compared to other similar products

APPLICATIONS

- Harsh industrial environments
- Process
- Chemical
- Petroleum
- Metallurgical

DESCRIPTION

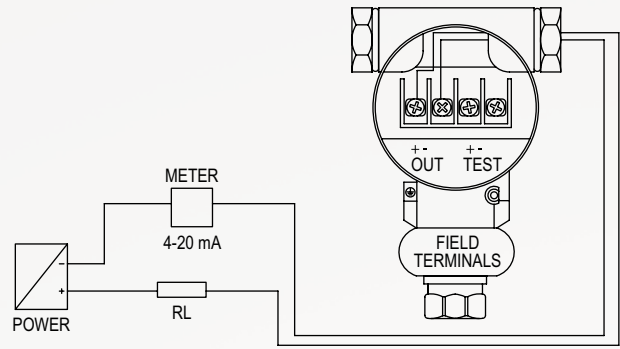
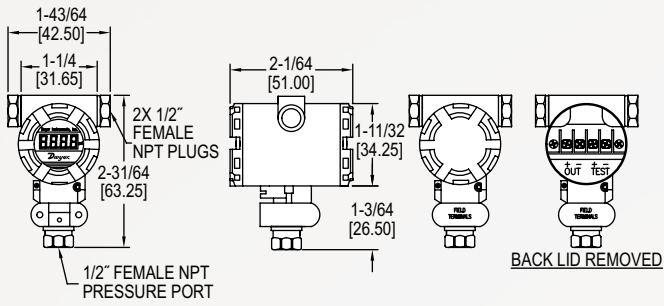
The **Series IWP Industrial Weatherproof Pressure Transmitter** provides an exceptional value solution to pressure measurement in industrial conditions requiring high-performance, stability and long service life. The precise operation under dirty and wet conditions, make the Series IWP an ideal choice for petroleum, chemical and metallurgical industry applications.

SPECIFICATIONS

Service	Gases, and liquids compatible with wetted materials.
Wetted Materials	304 and 316 SS.
Accuracy	0.5% FS.
Stability	<0.2% FS per year.
Temperature Limits	-22 to 203°F (-30 to 95°C).
Compensated Temperature Limits	32 to 158°F (0 to 70°C).
Pressure Limits	1.5 x pressure range.
Temperature Coefficient	0.3% FS per 10°C.
Power Requirements	12-36 VDC.
Output Signal	4-20 mA.
Loop Resistance	1200 Ω max.
Electrical Conduit Connection	1/2" female NPT.
Process Connection	1/2" female NPT.
Enclosure Rating	IP65.
Agency Approvals	CE.

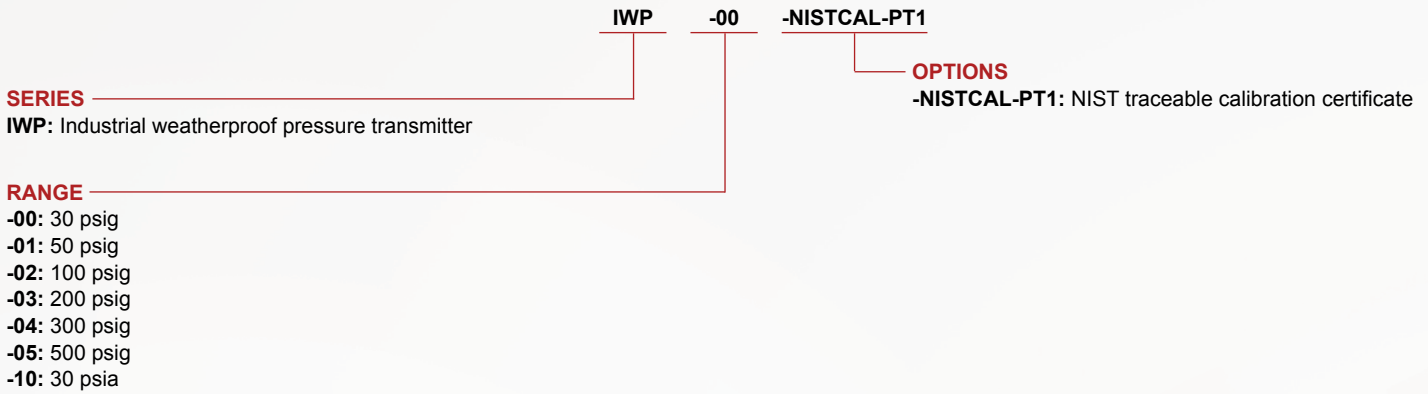
DIMENSIONS

WIRING DIAGRAM



HOW TO ORDER

Use the **bold** characters from the chart below to construct a product code.



ORDER ONLINE TODAY
dwyer-instruments.com/Product/Series/IWP



DWYER INSTRUMENTS, INC.